

TABLE - 2

Vertical datum level for RL=+1250/ft=4100	Height (mm)	A	B	C	D	E
80	11.25	1000	400	300	150	150
80	45	1000	400	300	150	150
100	11.25	1000	400	300	150	150
100	45	1000	400	300	150	150
150	11.25	1000	400	300	150	150
150	45	1000	400	300	150	150
200	11.25	1000	400	300	150	150
200	45	1000	400	300	150	150
250	11.25	1000	400	300	150	150
250	45	1000	400	300	150	150
300	11.25	1000	400	300	150	150
300	45	1000	400	300	150	150

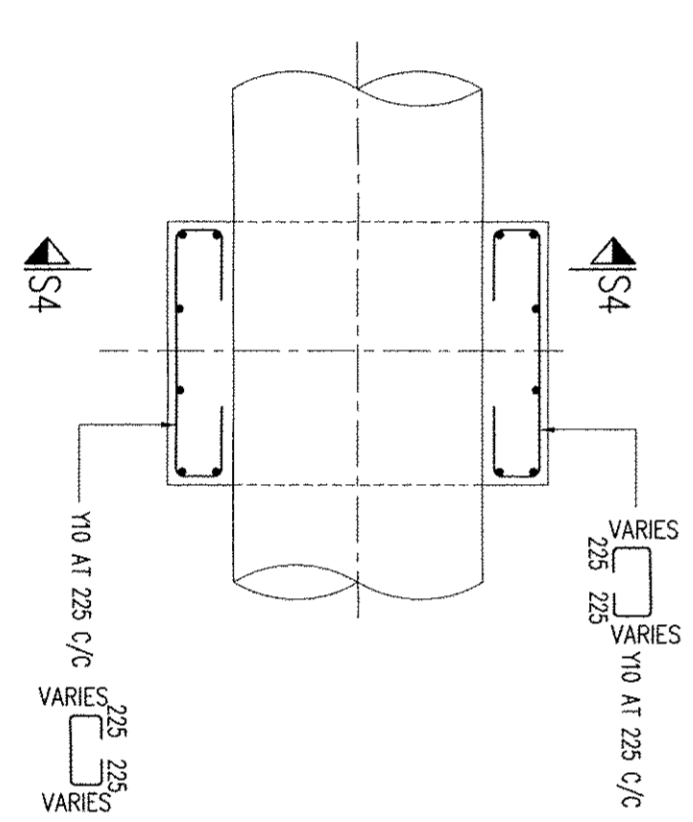
TABLE - 3

Vertical datum level for RL=+1250/ft=4100	Height (mm)	A	B	C	D	E
80	11.25	1000	400	300	150	150
80	45	1000	400	300	150	150
100	11.25	1000	400	300	150	150
100	45	1000	400	300	150	150
150	11.25	1000	400	300	150	150
150	45	1000	400	300	150	150
200	11.25	1000	400	300	150	150
200	45	1000	400	300	150	150
250	11.25	1000	400	300	150	150
250	45	1000	400	300	150	150
300	11.25	1000	400	300	150	150
300	45	1000	400	300	150	150

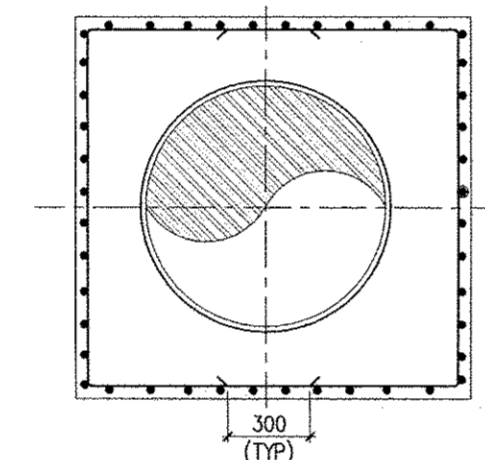
TABLE - 1

Vertical datum level for RL=+1250/ft=4100	Height (mm)	A	B	C	D	E	F	G	H
80	11.25	200	200	1000	500	500	470	150	150
80	45	900	400	1000	500	500	470	150	150
100	11.25	200	200	1000	500	500	470	150	150
100	45	900	400	1000	500	500	470	150	150
150	11.25	200	200	1000	500	500	470	150	150
150	45	900	400	1000	500	500	470	150	150
200	11.25	200	200	1000	500	500	470	150	150
200	45	900	400	1000	500	500	470	150	150
250	11.25	200	200	1000	500	500	470	150	150
250	45	900	400	1000	500	500	470	150	150
300	11.25	200	200	1000	500	500	470	150	150
300	45	900	400	1000	500	500	470	150	150

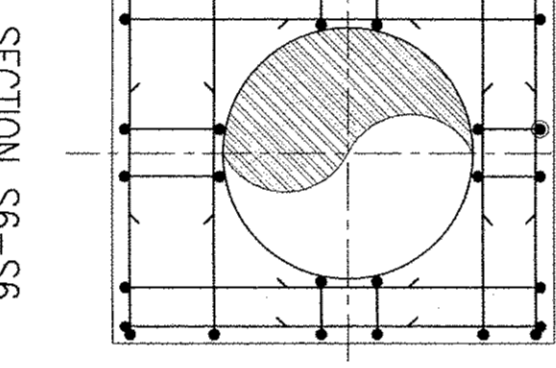
PLAN AT MID HEIGHT OF BLOCK



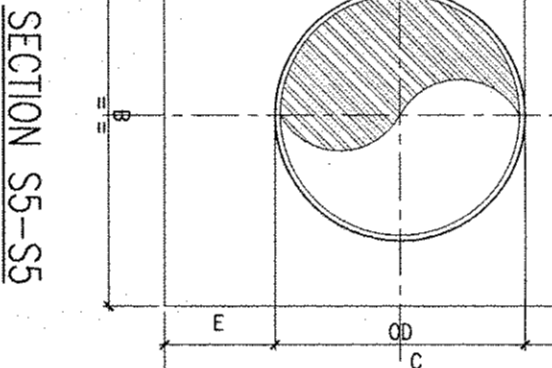
SECTION S3-S3



SECTION S6-S6



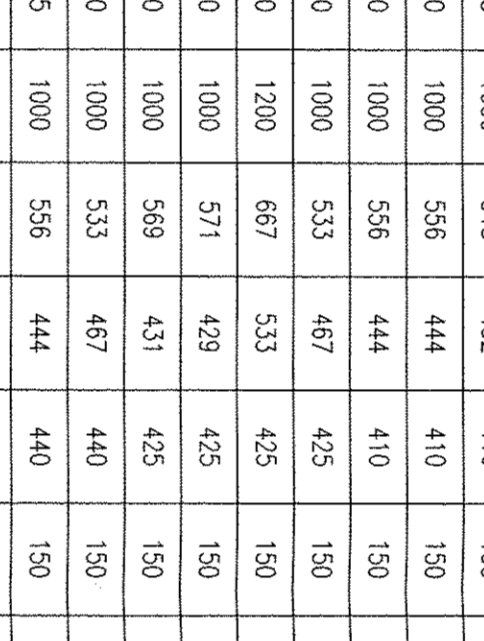
SECTION S5-S5



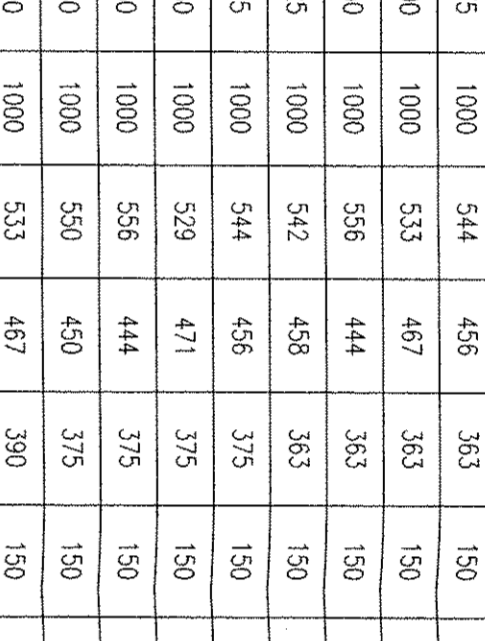
VIEW V1-V1



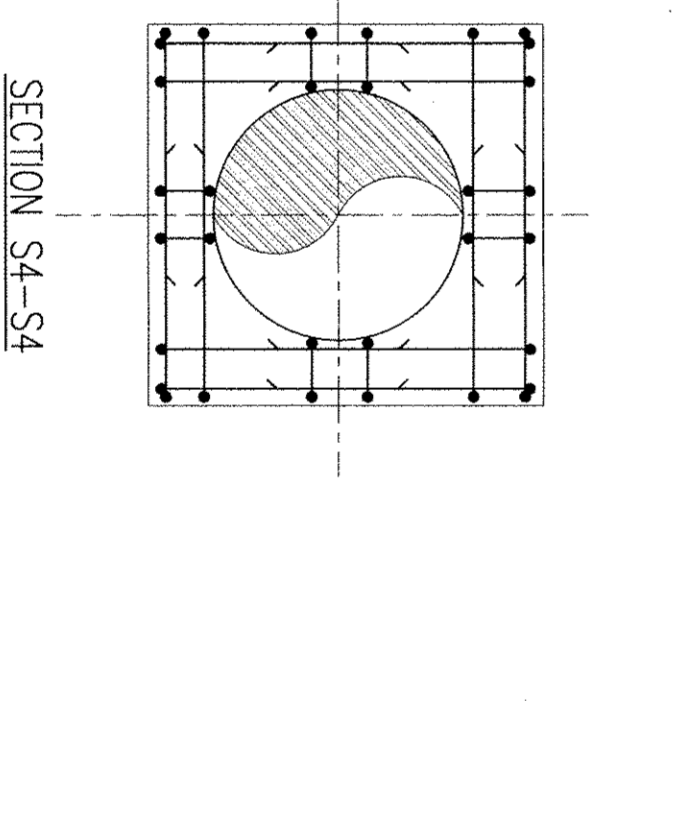
VIEW V2-V2



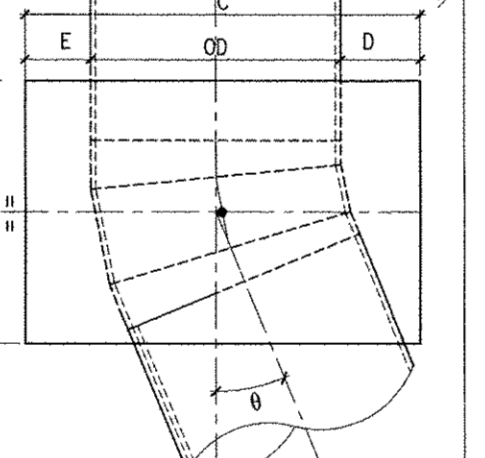
VIEW V3-V3



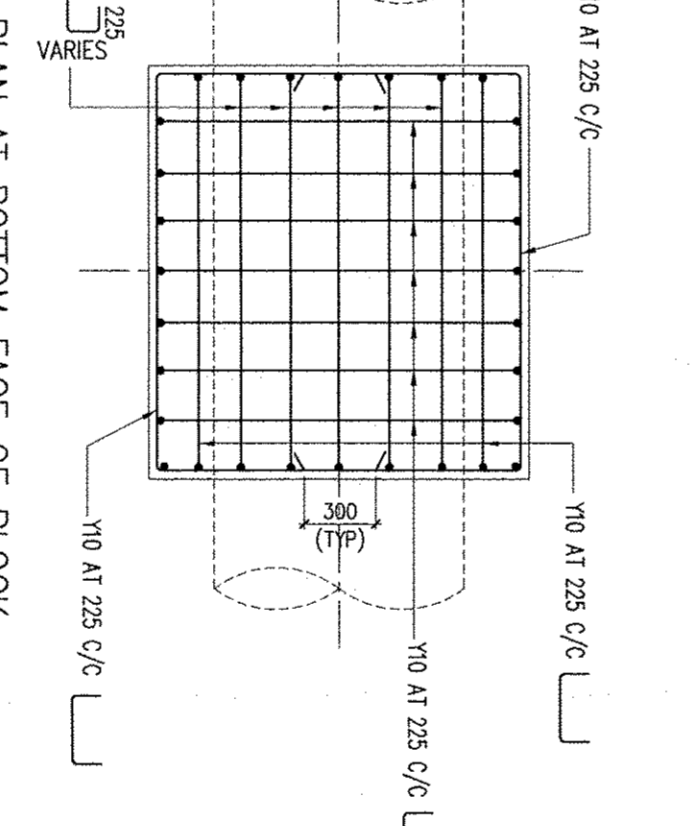
PLAN AT TOP FACE OF BLOCK



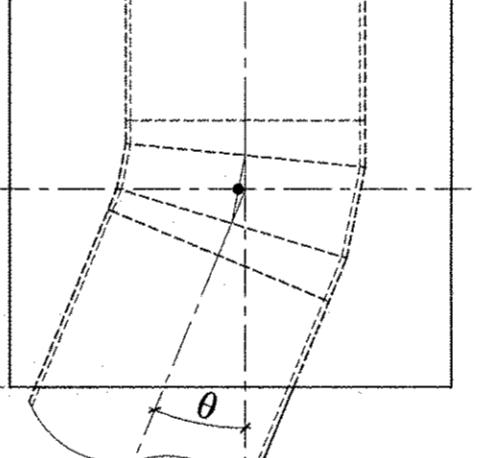
SECTION S4-S4



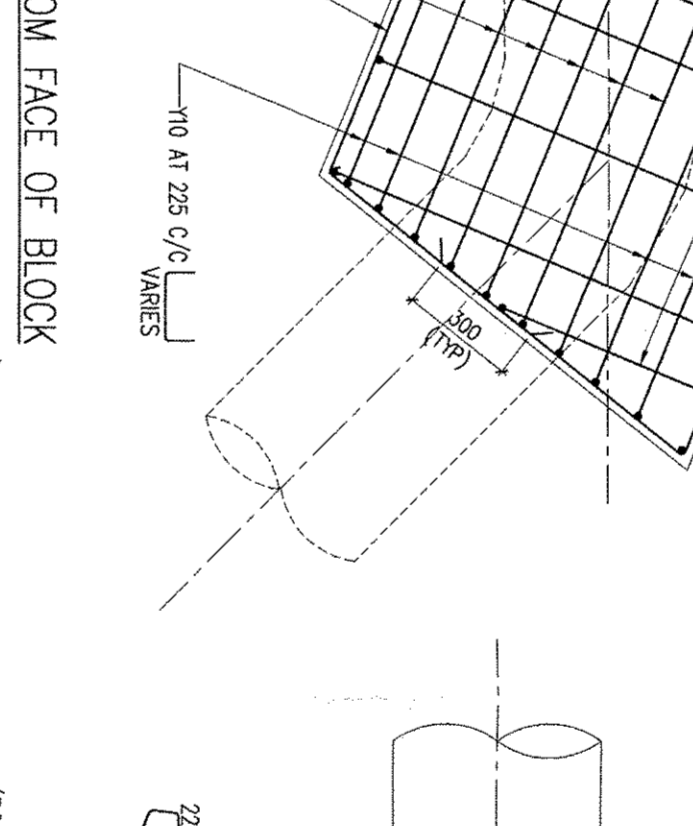
PLAN AT BOTTOM FACE OF BLOCK



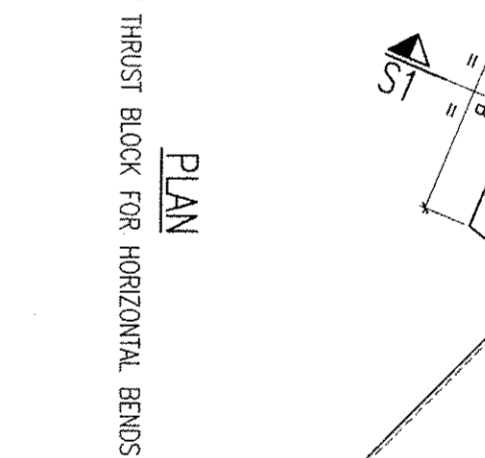
SECTION S2-S2



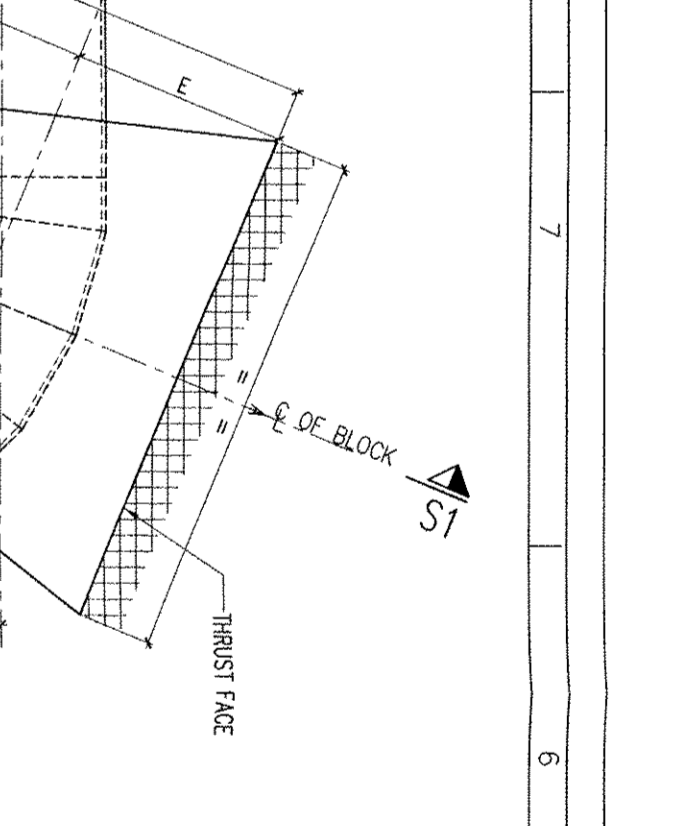
PLAN AT MID HEIGHT OF BLOCK



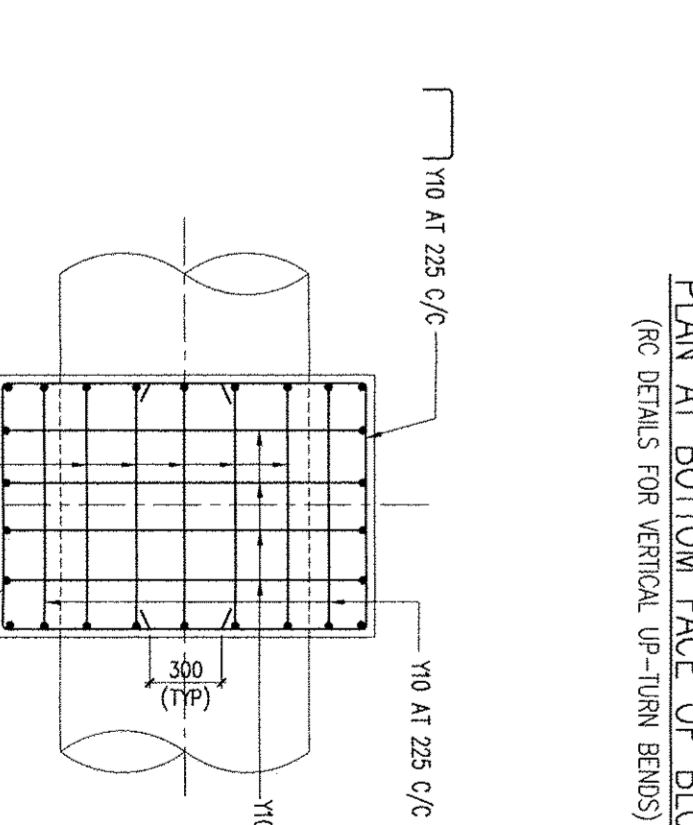
SECTION S1-S1



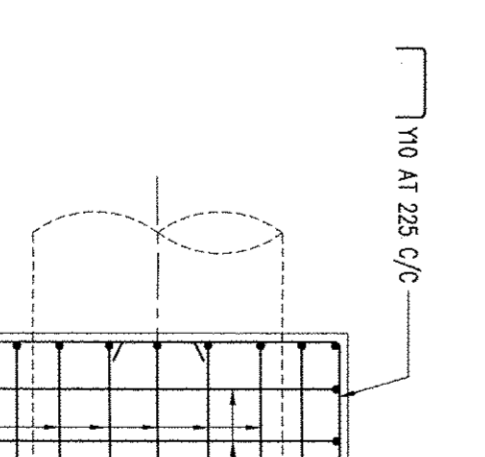
PLAN AT TOP FACE OF BLOCK



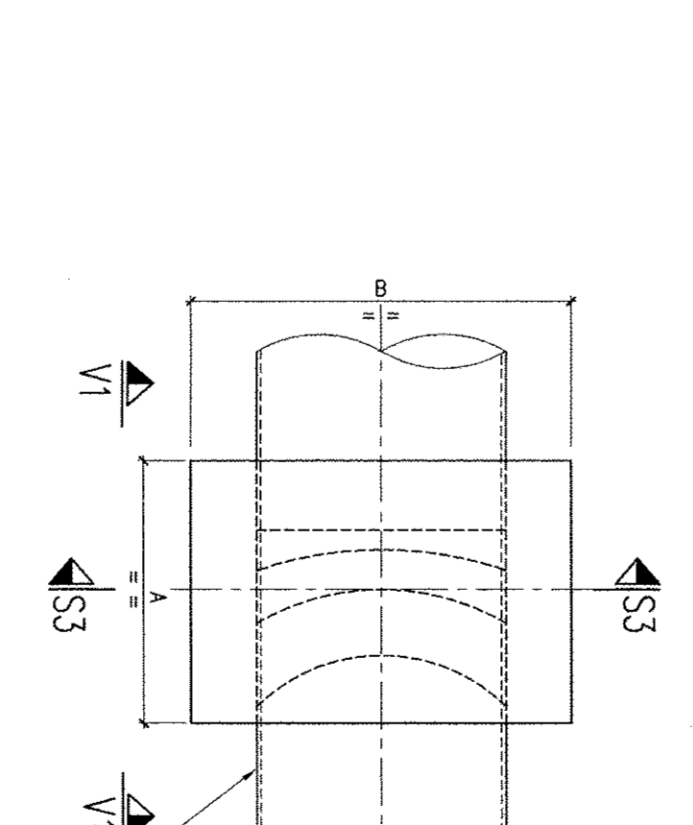
PLAN AT TOP FACE OF BLOCK



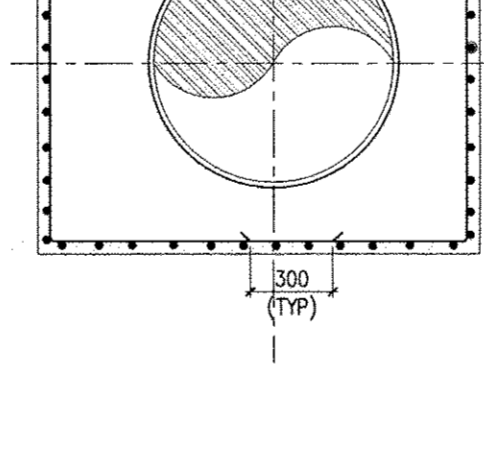
SECTION S1-S1



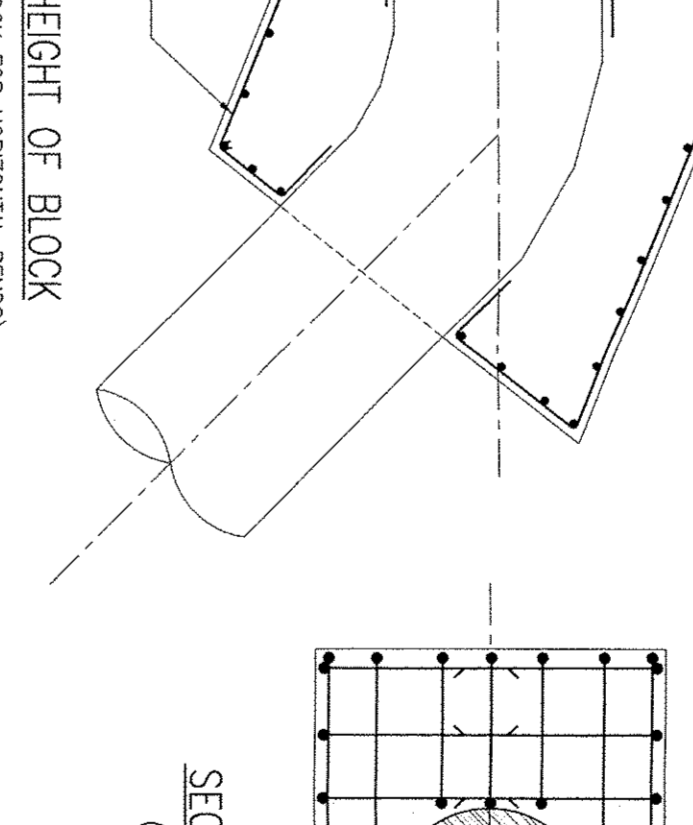
PLAN AT BOTTOM FACE OF BLOCK



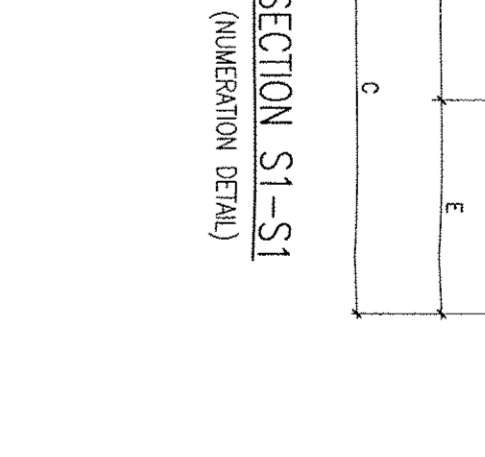
SECTION S2-S2



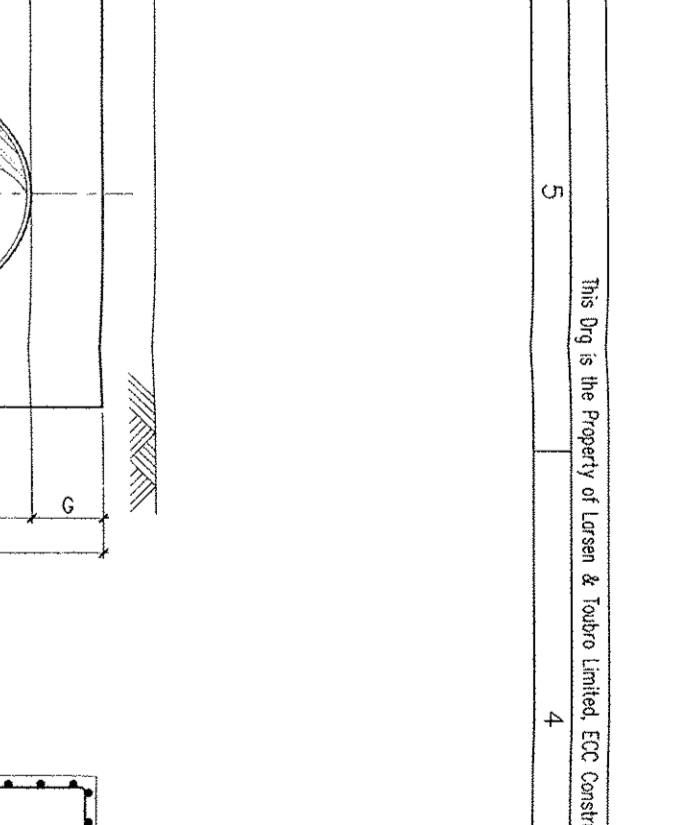
PLAN AT MID HEIGHT OF BLOCK



SECTION S1-S1



PLAN AT TOP FACE OF BLOCK



LEGEND

EQ - OUSTING GROUND LEVEL

OD - OTHER DIAMETER

NOTES

- ALL DIMENSIONS ARE IN MM AND LEVELS ARE IN METERS.
- GRADE OF CONCRETE SHALL BE M20.
- ALL REINFORCEMENT BARS SHALL BE HRSD BARS OF GRADE T45 CONFORMING TO S1020 - 1998.
- CONCRETE SHALL BE CASTED IN LAYERS AS DISCUSSED IN THE DRAWINGS.
- SOIL BENEATH AND BY THE SIDE OF THIRST BLOCK WHICH IS ULTIMATELY BEARS THIRST THROUGH CONCRETE MEDIUM MUST BE PROTECTED BY 100MM THICK POLYETHYLENE SHEET OR 100MM THICK SAND OR OTHER MATERIALS TO PREVENT WATER FROM RISING THROUGH THE GAP/INTERFERENCE SHALL BE FILLED WITH M.S.
- PIPE AND SPECIALS SHALL BE SIMILARLY SHIPPED WHITE CONCRETE.
- TESTING OF PUMPING MAIN SHALL BE DONE AFTER CASTING OF THIRST BLOCKS AND COMPLETION OF BLOCK FLANKS.

CONTRACTOR

L&T Construction

1100

CLIENT

L&T Construction

1100